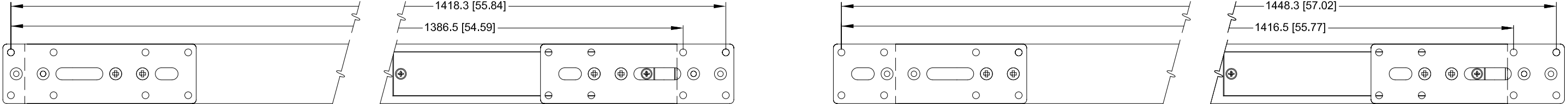
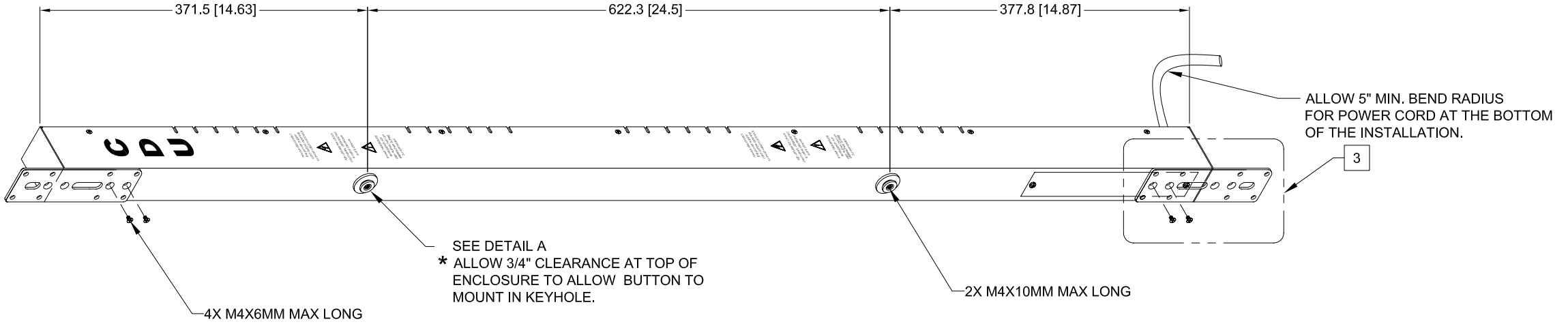


SERVER TECHNOLOGY, INC.  
 PROPRIETARY INFORMATION

THIS DOCUMENT IS THE SOLE PROPERTY OF SERVER TECHNOLOGY, INC. THE RELEASE OF DATA CONTAINED IN THIS DOCUMENT AND THE REPRODUCTION OF THIS DOCUMENT, IN WHOLE OR IN PART, WITHOUT THE WRITTEN PERMISSION OF SERVER TECHNOLOGY, INC IS PROHIBITED.

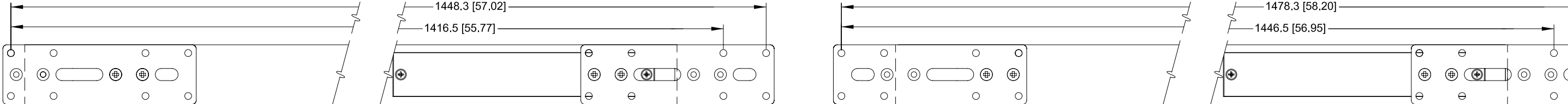
REVISIONS			
REV	DESCRIPTION	DATE	DFT/APPR
A	RELEASED TO PRODUCTION	07/25/08	MAR/JAA

- NOTES:
1. DIMENSIONS ARE IN MILLIMETERS AND [ ] BRACKETS ARE IN INCHES.
  2. MOUNTING BRACKETS CAN BE MOUNTED IN SEVERAL DIFFERENT POSITIONS SEE FIG. A, B, C, AND D.
  3. SEE MOUNTING KIT DRAWING #406-0070-10 FOR DETAILS.
  4. MAXIMUM PANEL THICKNESS FOR BUTTON INTO KEYHOLE PANEL IS 2.3MM.
  5. DIMENSIONS ARE NOMINAL. INFORMATION SUBJECT TO CHANGE WITHOUT NOTICE.



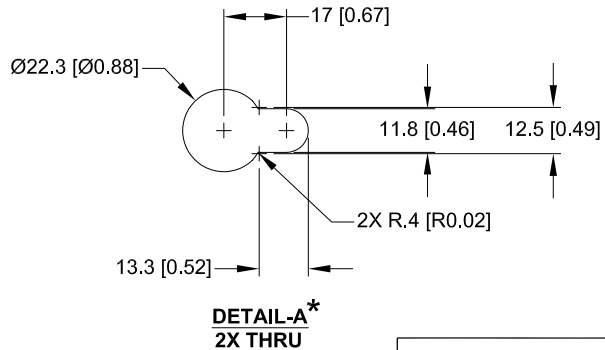
2 FIG. A  
 MB-0005-IPT7

2 FIG. B  
 MB-0005-IPT7



2 FIG. C  
 MB-0005-IPT7

2 FIG. D  
 MB-0005-IPT7



UNLESS OTHERWISE SPECIFIED  
 \* INTERPRET DRAWING IAW ASME Y14.100-2000  
 \* DIMENSIONING & TOLERANCING IAW ASME Y14.5M-1994  
 \* REMOVE ALL BURRS AND SHARP EDGES .2 R MAX  
 \* DIMENSIONS ARE IN MILLIMETERS  
 \* TOLERANCES ARE: DECIMALS ±.3 ANGLES ±1.0°  
 DO NOT SCALE DRAWING

MATERIAL:  
 FINISH:  
 THIRD ANGLE PROJECTION  
 APPROVALS  
 DATE  
 DRAWN BY:  
 M. RAMSEY 04/13/06  
 CHECKED BY:  
 M.RAYBURN 07/25/08  
 APPROVED BY:  
 J.MASKALY 07/25/08  
 RELEASED BY:  
 J. ANDRADE 07/25/08

VENDOR PART NO:  
 RoHS COMPLIANT

SERVER TECHNOLOGY, INC.

1040 Sandhill Drive Reno, NV 89521

DRAWING TITLE:  
**OUTLINE DRAWING, SMART CDU,  
 C-24V2[E]-C[L]xxxxx MODELS  
 WITH MOUNTING BRACKET OPTIONS**

SIZE	CAGE CODE	DWG NO.	REV
D	04V90	412-0390-1	A

SCALE: 1/3 FILE NO: 412-0390-1-2.dwg SHEET 2 OF 3