

8

7

6

5

4

3

2

1

SERVER TECHNOLOGY, INC  
PROPRIETARY INFORMATION

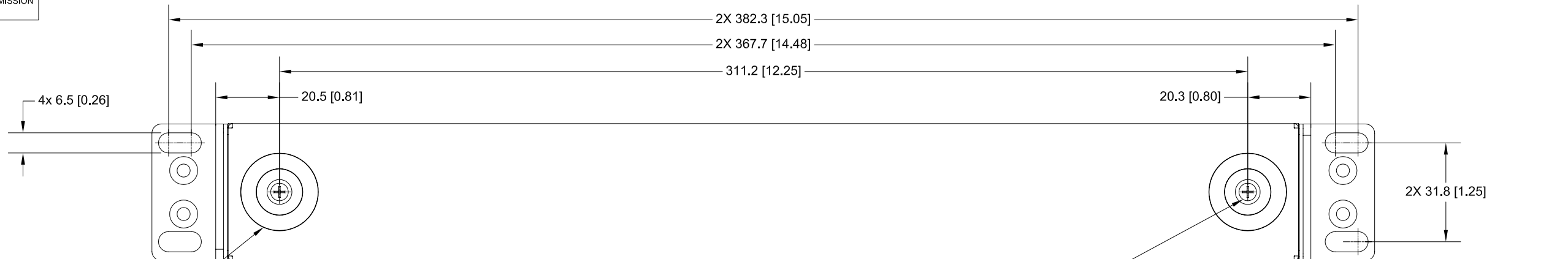
RoHS COMPLIANT

REVISION HISTORY				
ZONE	REV	DESCRIPTION	DATE	APPROVED
-	A	INITIAL DESIGN	04/03/08	MAR/MRR

THIS DOCUMENT IS THE SOLE PROPERTY OF SERVER TECHNOLOGY, INC. THE RELEASE OF DATA CONTAINED IN THIS DOCUMENT AND THE REPRODUCTION OF THIS DOCUMENT, IN WHOLE OR IN PART, WITHOUT THE WRITTEN PERMISSION OF SERVER TECHNOLOGY, INC IS PROHIBITED.

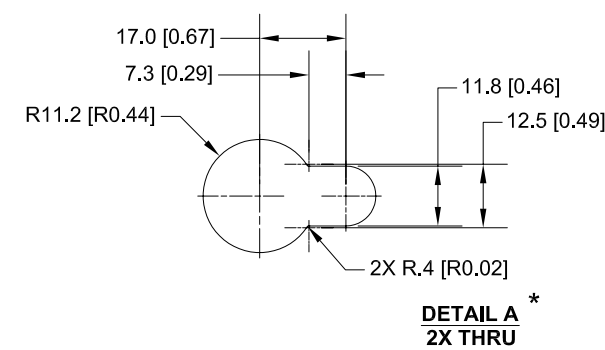
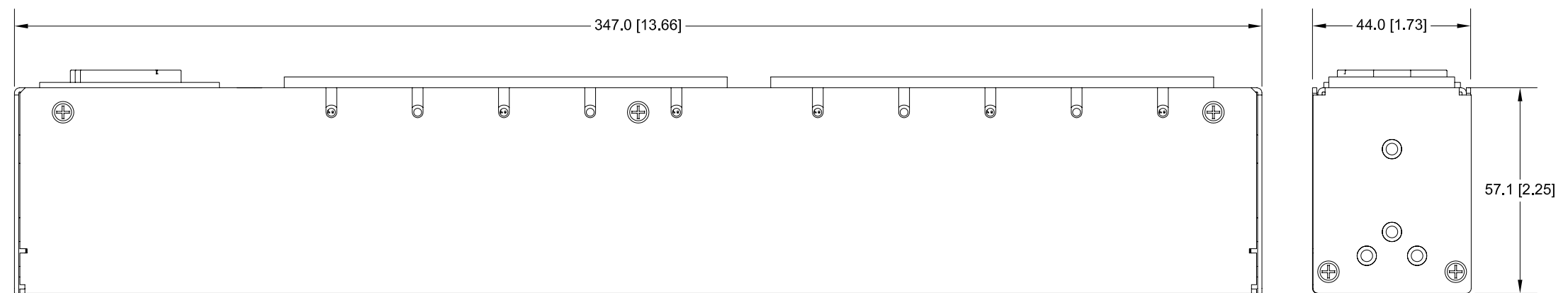
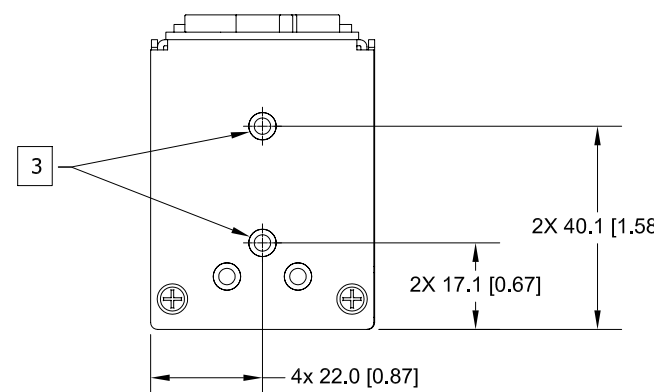
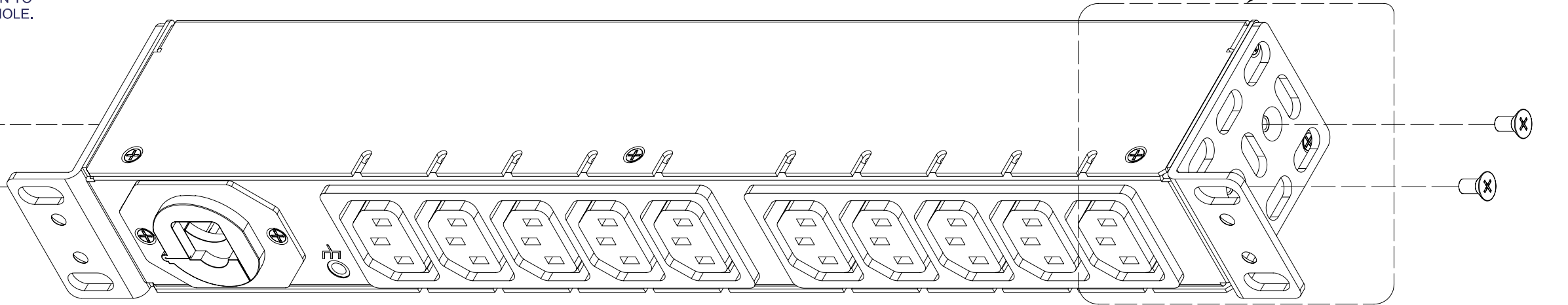
NOTES:

1. DIMENSIONS ARE IN MILLIMETERS AND [ ] BRACKETS ARE IN INCHES.
2. SEE MOUNTING KIT DRAWING #406-0070-9 FOR DETAILS.
3. USE THESE HOLES TO MOUNT MB-0005-31.
4. MAXIMUM PANEL THICKNESS FOR BUTTON INTO KEYHOLE PANEL IS 2.3MM.
5. DIMENSIONS ARE NOMINAL INFORMATION SUBJECT TO CHANGE WITHOUT NOTICE.



\* SEE DETAIL A ALLOW 3/4" CLEARANCE AT TOP OF ENCLOSURE TO ALLOW BUTTON TO MOUNT IN KEYHOLE.

4X M4X8MM MAX LONG



UNLESS OTHERWISE SPECIFIED  
 \* INTERPRET DRAWING IAW ASME Y14.100-2000  
 \* DIMENSIONING & TOLERANCING IAW ASME Y14.5M-1994  
 \* REMOVE ALL BURRS AND SHARP EDGES .2 R MAX  
 \* DIMENSIONS ARE IN MILLIMETERS  
 \* TOLERANCES ARE: DECIMALS .3 ANGLES .1.0- DO NOT SCALE DRAWING

MATERIAL:  
**SEE SEPARATE BOM**

FINISH:  
**SEE SEPARATE BOM**

VENDOR PART NO:

THIRD ANGLE PROJECTION

APPROVALS	DATE
M. RAMSEY	10/17/07
M. RAYBURN	04/03/08
J. MASKALY	04/03/08
J. ANDRADE	04/03/08

SERVER TECHNOLOGY, INC.

1040 Sandhill Drive Reno, NV 89521

DRAWING TITLE:  
**OUTLINE DRAWING, SATELLITE, CB-10V2-A30/Sx MODELS WITH MOUNTING BRACKET OPTIONS**

SIZE	CAGE CODE	DWG NO.	REV
B	04V90	412-0330-12	A

SCALE: NTS FILE NO: 412-0330-12-2.idw SHEET 2 OF 4

8

7

6

5

4

3

2

1