

8

7

6

5

4

3

2

1

SERVER TECHNOLOGY, INC
PROPRIETARY INFORMATION

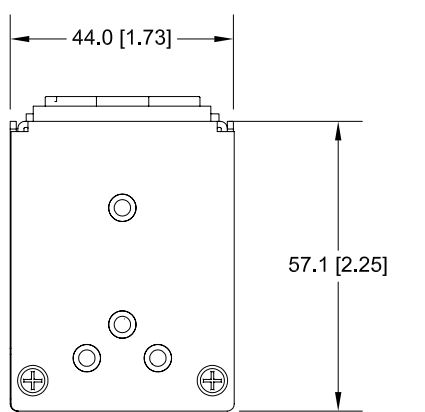
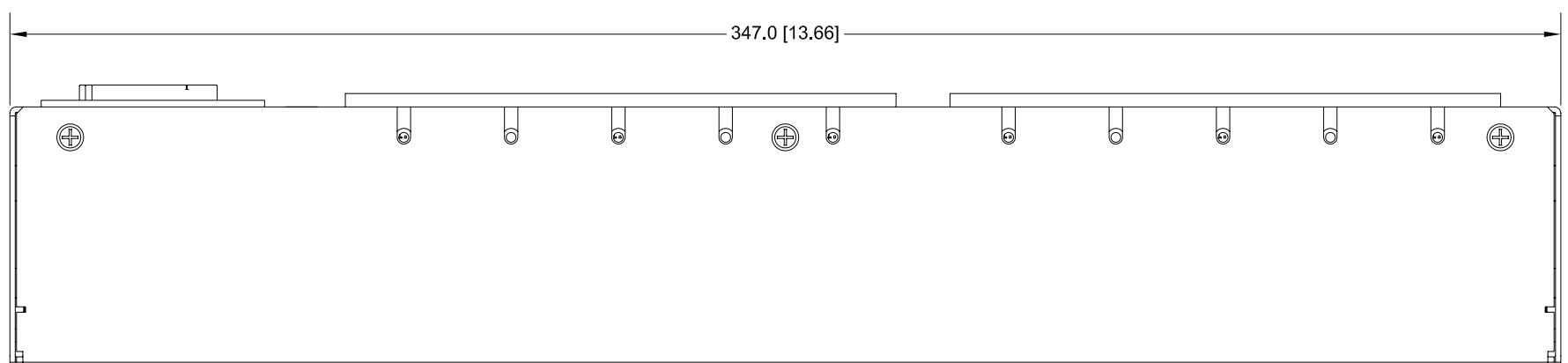
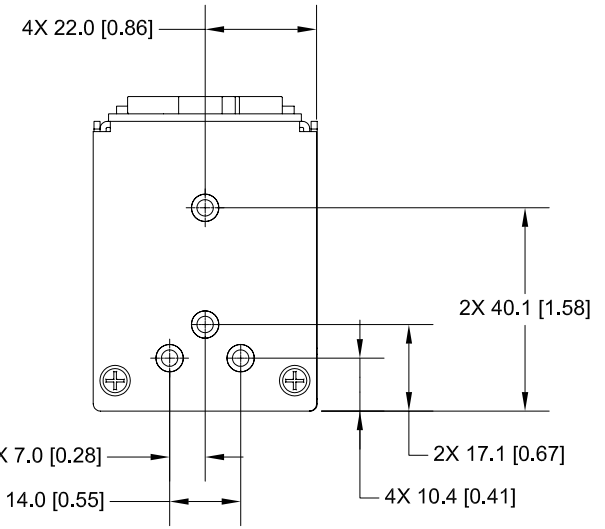
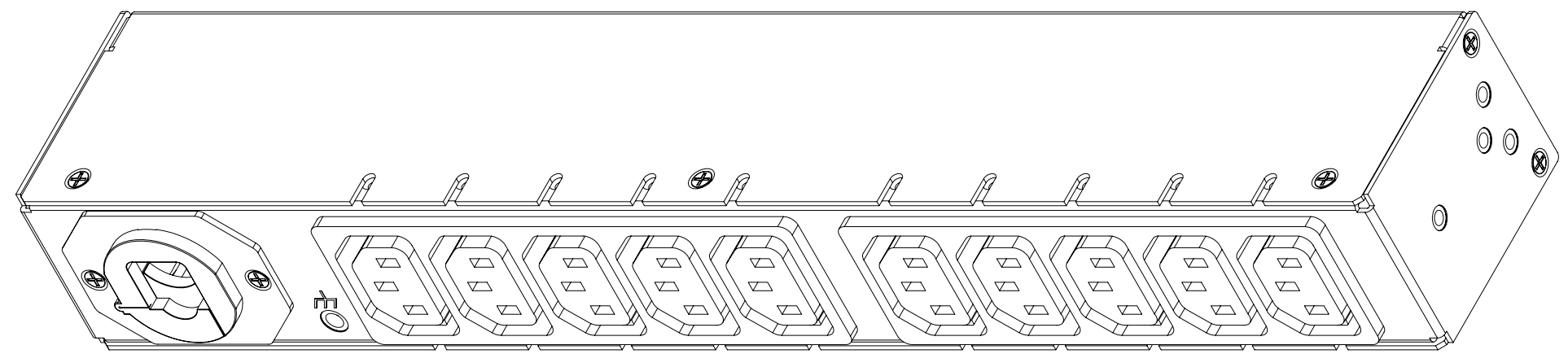
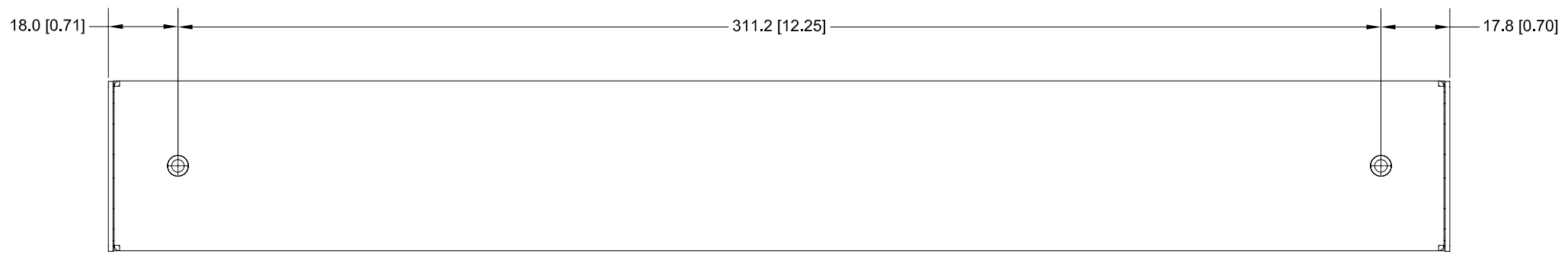
RoHS COMPLIANT

THIS DOCUMENT IS THE SOLE PROPERTY OF SERVER TECHNOLOGY, INC. THE RELEASE OF DATA CONTAINED IN THIS DOCUMENT AND THE REPRODUCTION OF THIS DOCUMENT, IN WHOLE OR IN PART, WITHOUT THE WRITTEN PERMISSION OF SERVER TECHNOLOGY, INC IS PROHIBITED.

REVISION HISTORY				
ZONE	REV	DESCRIPTION	DATE	APPROVED
-	A	INITIAL DESIGN	04/03/08	MAR/MRR

NOTES:

1. DIMENSIONS ARE IN MILLIMETERS AND [] BRACKETS ARE IN INCHES.
2. DIMENSIONS ARE NOMINAL INFORMATION SUBJECT TO CHANGE WITHOUT NOTICE.



UNLESS OTHERWISE SPECIFIED
 * INTERPRET DRAWING IAW ASME Y14.100-2000
 * DIMENSIONING & TOLERANCING IAW ASME Y14.5M-1994
 * REMOVE ALL BURRS AND SHARP EDGES .2 R MAX
 * DIMENSIONS ARE IN MILLIMETERS
 * TOLERANCES ARE: DECIMALS .3 ANGLES .1.0-
 DO NOT SCALE DRAWING

MATERIAL:
SEE SEPARATE BOM

FINISH:
SEE SEPARATE BOM

VENDOR PART NO:

THIRD ANGLE PROJECTION

APPROVALS	DATE
APPROVED BY: M. RAMSEY	10/17/07
CHECKED BY: M.RAYBURN	04/03/08
APPROVED BY: J. MASKALY	04/03/08
RELEASED BY: J. ANDRADE	04/03/08

SERVER TECHNOLOGY, INC.

1040 Sandhill Drive Reno, NV 89521

DRAWING TITLE:
**OUTLINE DRAWING, SATELLITE,
CB-10V2-A30/Sx MODELS WITH
MOUNTING BRACKET OPTIONS**

SIZE	CAGE CODE	DWG NO.	REV
B	04V90	412-0330-12	A

SCALE: NTS FILE NO: 412-0330-12-1.idw SHEET 1 OF 4

8

7

6

5

4

3

2

1