

8

7

6

5

4

3

2

1

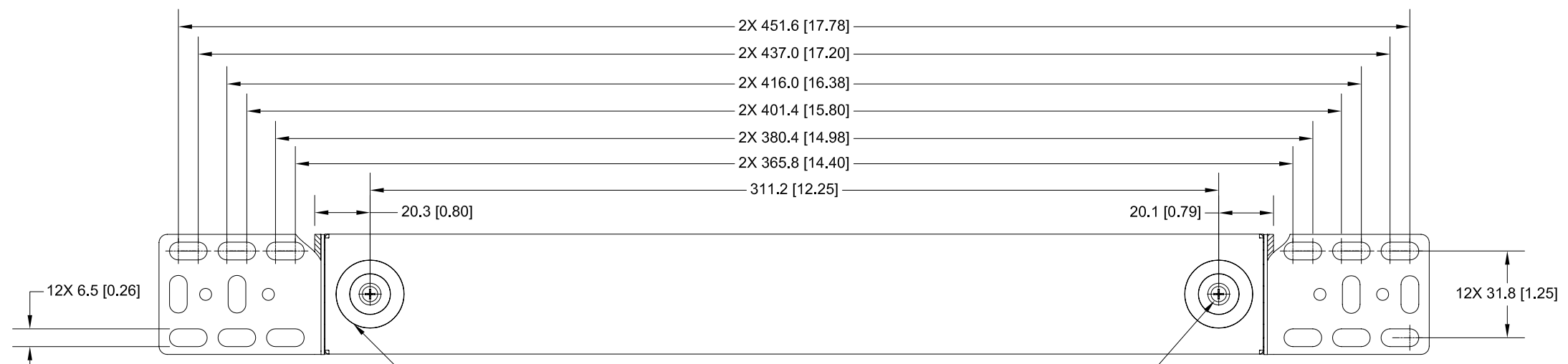
SERVER TECHNOLOGY, INC
PROPRIETARY INFORMATION

RoHS COMPLIANT

REVISION HISTORY				
ZONE	REV	DESCRIPTION	DATE	APPROVED
-	A	INITIAL DESIGN	04/03/08	MAR/MRR

THIS DOCUMENT IS THE SOLE PROPERTY OF SERVER TECHNOLOGY, INC. THE RELEASE OF DATA CONTAINED IN THIS DOCUMENT AND THE REPRODUCTION OF THIS DOCUMENT, IN WHOLE OR IN PART, WITHOUT THE WRITTEN PERMISSION OF SERVER TECHNOLOGY, INC IS PROHIBITED.

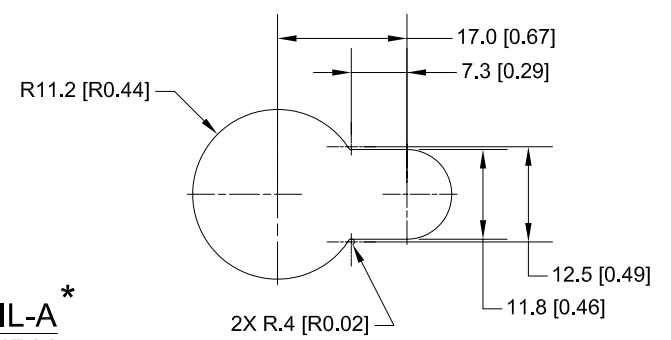
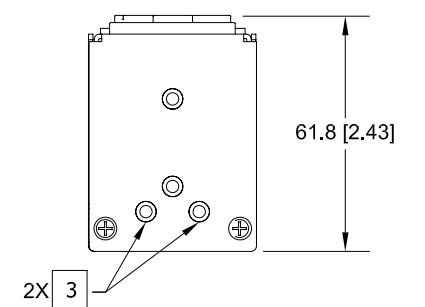
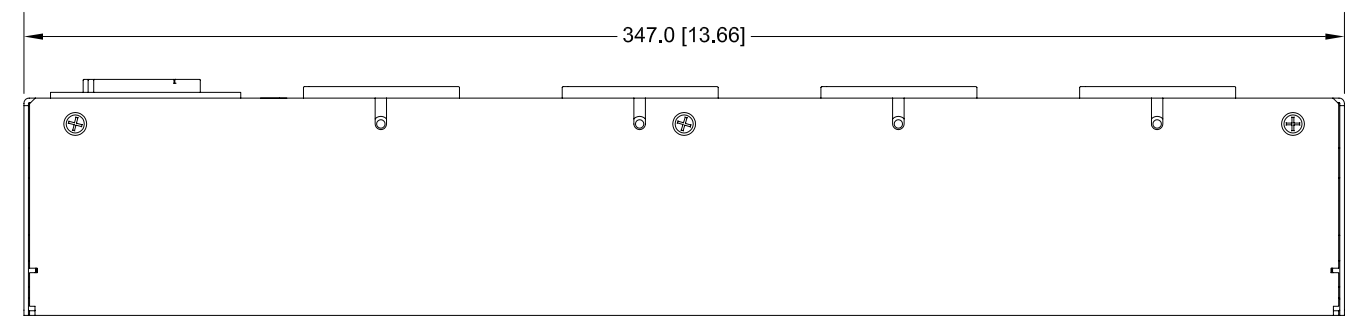
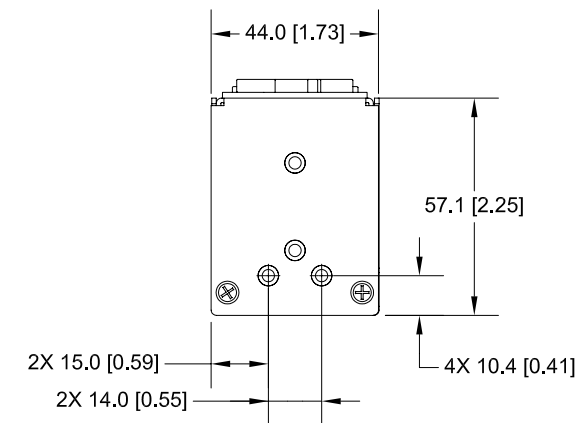
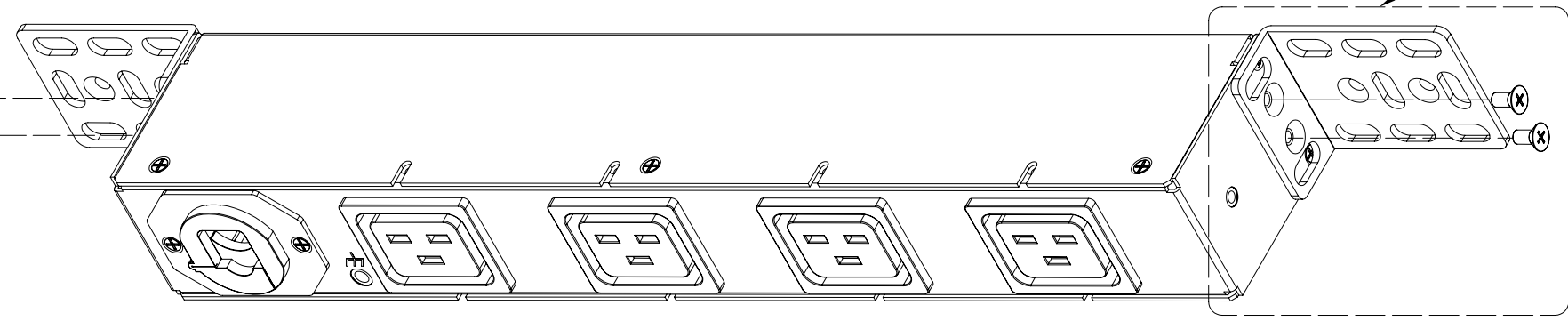
- NOTES:
- DIMENSIONS ARE IN MILLIMETERS AND [] BRACKETS ARE IN INCHES.
 - SEE MOUNTING KIT DRAWING #406-0070-9 FOR DETAILS.
 - USE THESE HOLES TO MOUNT MB-0005-31.
 - MAXIMUM PANEL THICKNESS FOR BUTTON INTO KEYHOLE PANEL IS 2.3MM.
 - DIMENSIONS ARE NOMINAL INFORMATION SUBJECT TO CHANGE WITHOUT NOTICE.



SEE DETAIL A
* ALLOW 3/4" CLEARANCE AT TOP OF ENCLOSURE TO ALLOW BUTTON TO MOUNT IN KEYHOLE.

2X M4X10MM MAX LONG

4X M4X8MM MAX LONG



DETAIL-A
2X THRU

UNLESS OTHERWISE SPECIFIED
 * INTERPRET DRAWING IAW ASME Y14.100-2000
 * DIMENSIONING & TOLERANCING IAW ASME Y14.5M-1994
 * REMOVE ALL BURRS AND SHARP EDGES .2 R MAX
 * DIMENSIONS ARE IN MILLIMETERS
 * TOLERANCES ARE: DECIMALS .3 ANGLES .1.0- DO NOT SCALE DRAWING

MATERIAL:
SEE SEPARATE BOM

FINISH:
SEE SEPARATE BOM

VENDOR PART NO:

THIRD ANGLE PROJECTION

APPROVALS	DATE
DRAWN BY: M. RAMSEY	10/17/07
CHECKED BY: M. RAYBURN	04/03/08
APPROVED BY: J. MASKALY	04/03/08
RELEASED BY: J. ANDRADE	04/03/08

SERVER TECHNOLOGY, INC.

1040 Sandhill Drive Reno, NV 89521

DRAWING TITLE:
OUTLINE DRAWING, SATELLITE, CB-4V2-A303/Sx MODELS WITH MOUNTING BRACKET OPTIONS

SIZE B	CAGE CODE 04V90	DWG NO. 412-0330-14	REV A
SCALE: NTS	FILE NO: 412-0330-14-3.idw	SHEET 3 OF 4	

8

7

6

5

4

3

2

1