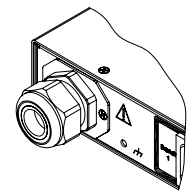
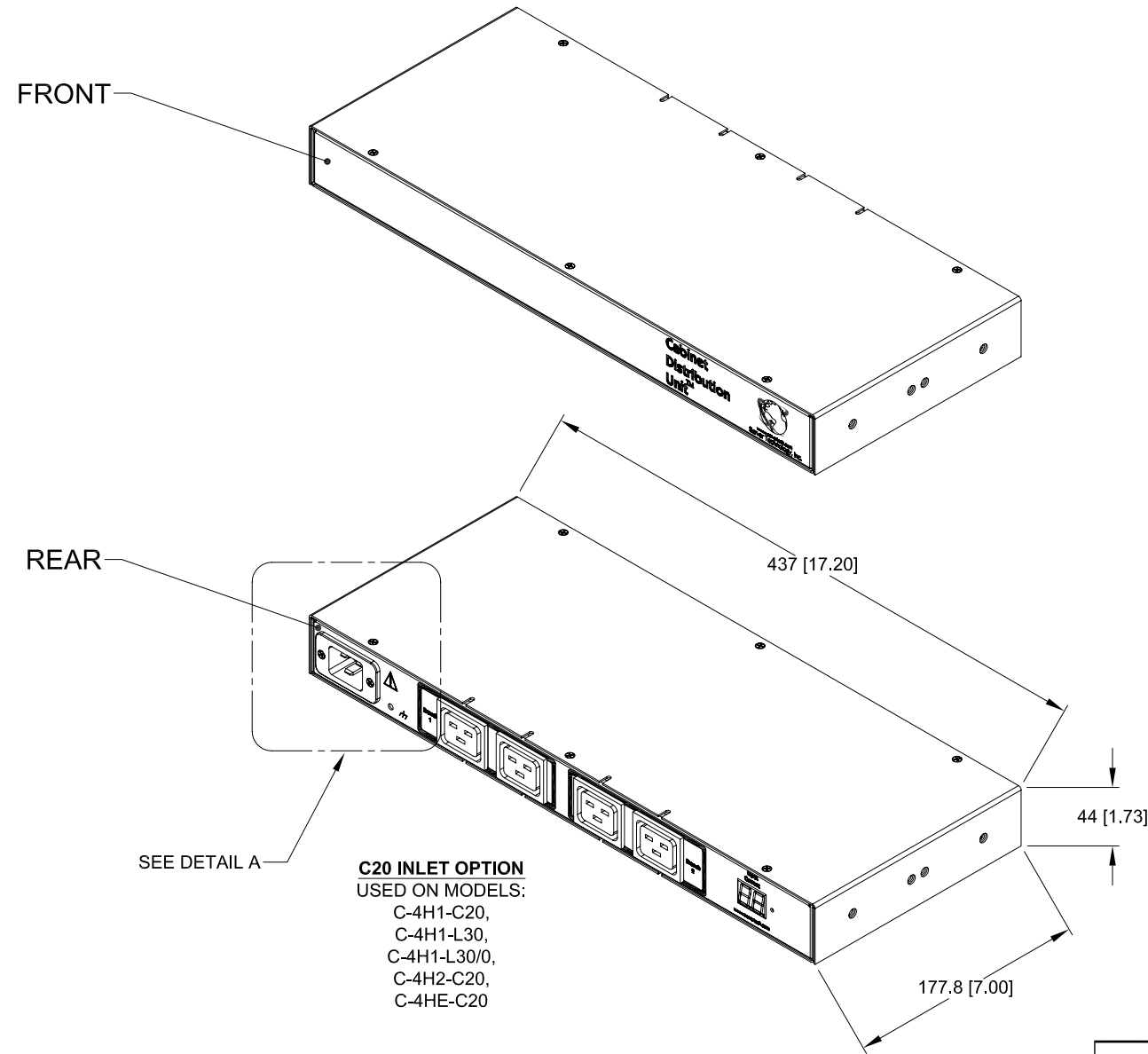


SERVER TECHNOLOGY, INC.
 PROPRIETARY INFORMATION

THIS DOCUMENT IS THE SOLE PROPERTY OF SERVER TECHNOLOGY, INC. THE RELEASE OF DATA CONTAINED IN THIS DOCUMENT AND THE REPRODUCTION OF THIS DOCUMENT, IN WHOLE OR IN PART, WITHOUT THE WRITTEN PERMISSION OF SERVER TECHNOLOGY, INC IS PROHIBITED.

REVISIONS			
REV	DESCRIPTION	DATE	DFT/APPR
A	RELEASED TO PRODUCTION	07/25/08	GG/JM

- NOTES:
1. DIMENSIONS ARE IN MILLIMETERS AND [] BRACKETS ARE IN INCHES.
 2. DIMENSIONS ARE NOMINAL. INFORMATION SUBJECT TO CHANGE WITHOUT NOTICE.



PG21 INLET OPTION
 USED ON MODEL:
 C-4HE-P32,
 C-4H2-L30,
 C-4H2-L30/0

DETAIL A

C20 INLET OPTION
 USED ON MODELS:
 C-4H1-C20,
 C-4H1-L30,
 C-4H1-L30/0,
 C-4H2-C20,
 C-4HE-C20

UNLESS OTHERWISE SPECIFIED * INTERPRET DRAWING IAW ASME Y14.100-2000 * DIMENSIONING & TOLERANCING IAW ASME Y14.5M-1994 * REMOVE ALL BURRS AND SHARP EDGES .2 R MAX * DIMENSIONS ARE IN MILLIMETERS * TOLERANCES ARE: DECIMALS ±.3 ANGLES ±1.0° DO NOT SCALE DRAWING		THIRD ANGLE PROJECTION 		SERVER TECHNOLOGY, INC. 1040 Sandhill Drive Reno, NV 89521	
MATERIAL:		APPROVALS G.G.	DATE 10/23/07	DRAWING TITLE: OUTLINE DRAWING, CDU, C-4H1, C-4H2 AND C-4HE MODELS WITH MOUNTING BRACKET OPTIONS	
FINISH:		CHECKED BY: M.RAYBURN	07/25/08	SIZE D	CAGE CODE 04V90
VENDOR PART NO:		APPROVED BY: J.MASKALY	07/25/08	DWG NO. 412-0368-1	REV A
RoHS COMPLIANT		RELEASED BY: J. ANDRADE	07/25/08	SCALE: 1/2	FILE NO: 412-0368-1-1.dwg SHEET 1 OF 2